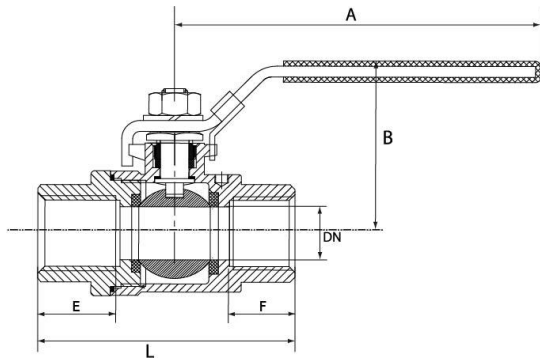


Stainless steel, 2-piece - length acc. to DIN 3202-M3.

Housing	Stainless steel 1.4408
Ball	Stainless steel 1.4401
Ball seal	PTFE (15 % glass fibre reinforced)
Stem seal	PTFE
Hand lever	Stainless steel 1.4301, with plastic coating
Operating pressure	max. 63 bar (dependent on temperature)
Operating temperature	-20 °C to 180 °C
Standard thread	G thread acc. to DIN EN ISO 228-1



397.05

Stainless steel ball valve, 2-piece, length acc. to DIN 3202-M3, with full bore

Art. No.	Type No.	Thread	DN	L	A	B	E	F	Kv
				mm	mm	mm	mm	mm	
135351	397.01	G 1/4	8	50.0	105.0	44.0	11.0	11.0	6.6
135352	397.02	G 3/8	10	60.0	105.0	44.0	15.0	15.0	7.9
135353	397.03	G 1/2	15	75.0	105.0	50.0	22.0	22.0	11.2
135354	397.04	G 3/4	20	80.0	105.0	59.0	21.0	21.0	21
135355	397.05	G 1	25	90.0	137.0	65.0	21.0	21.0	35
135356	397.06	G 1 1/4	32	110.0	137.0	79.0	26.0	26.0	57
135357	397.07	G 1 1/2	40	120.0	182.0	86.0	28.0	28.0	80
135358	397.08	G 2	50	140.0	182.0	99.0	31.0	31.0	150

